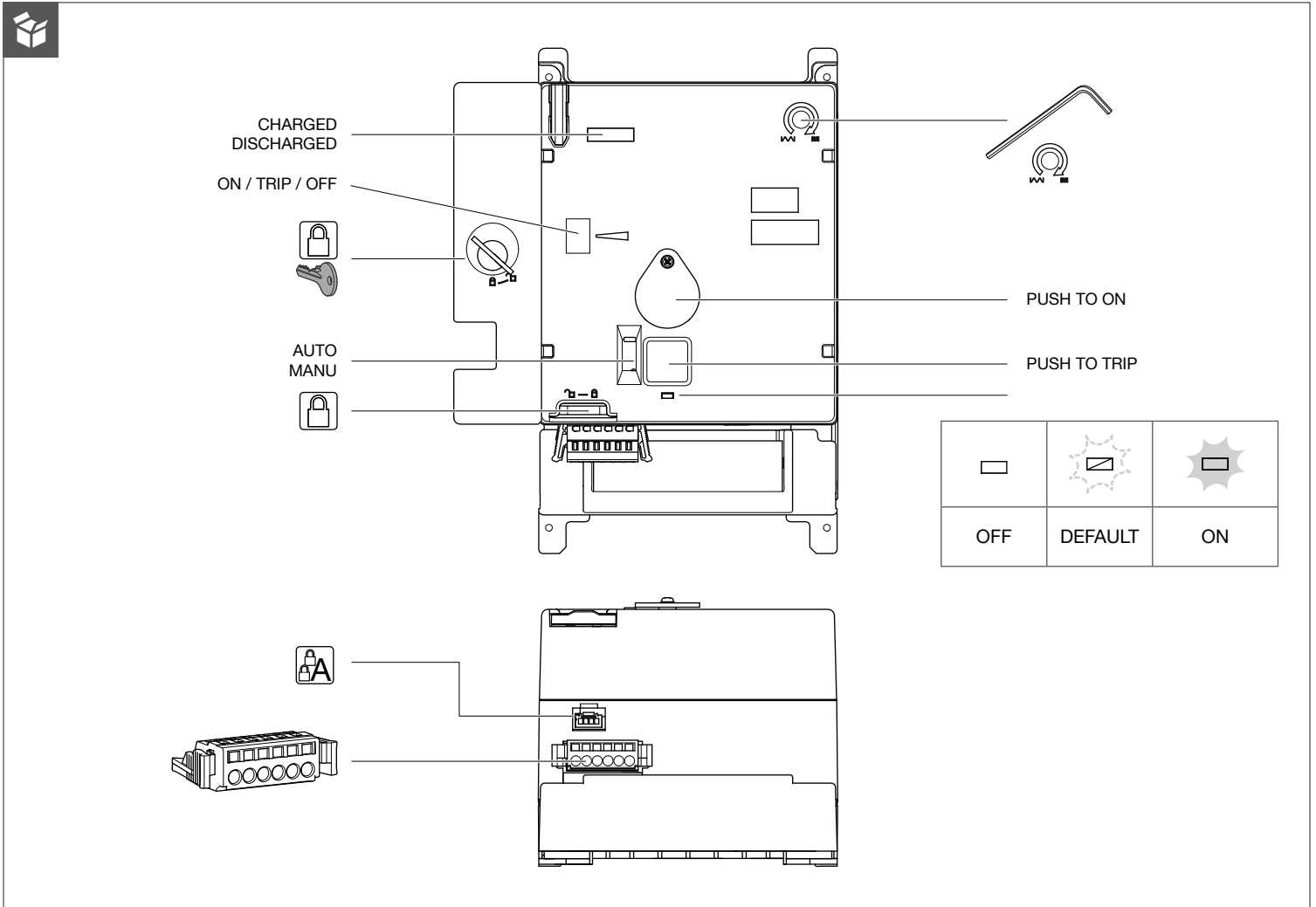
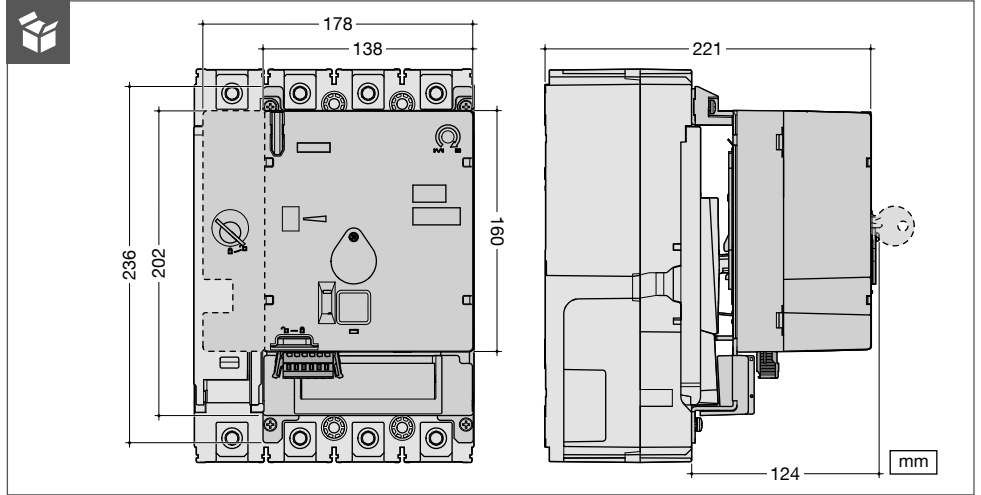
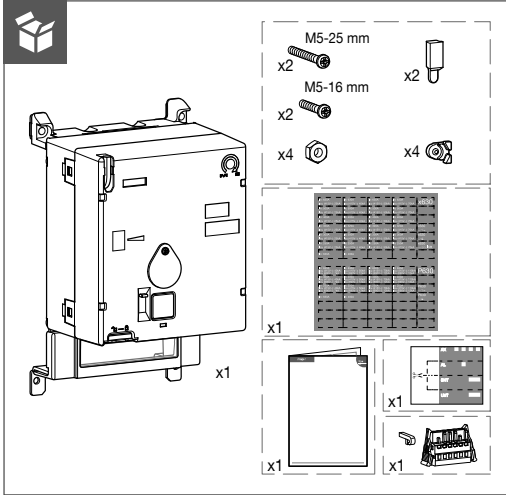
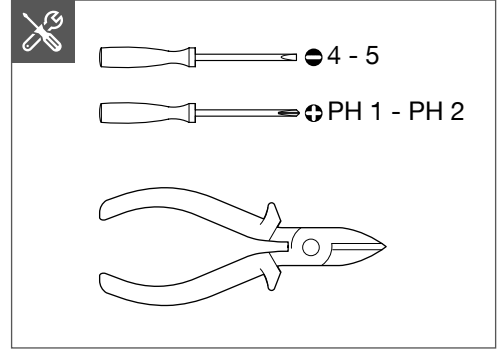
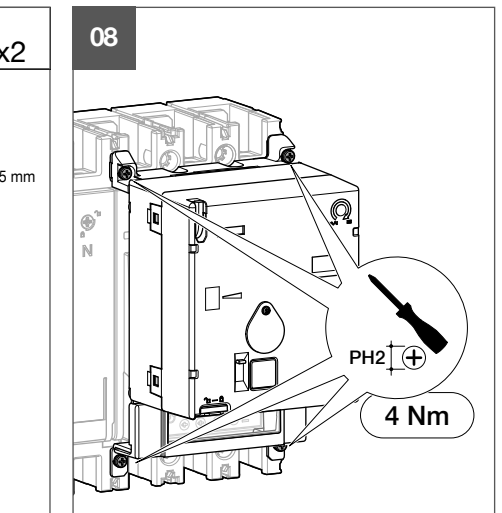
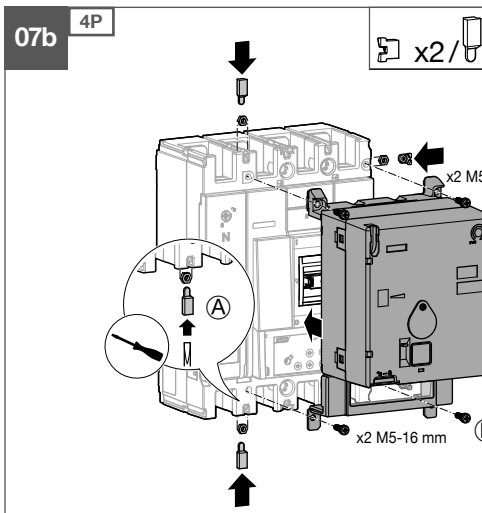
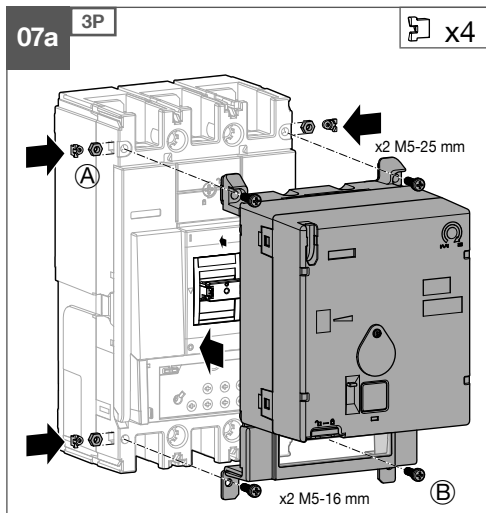
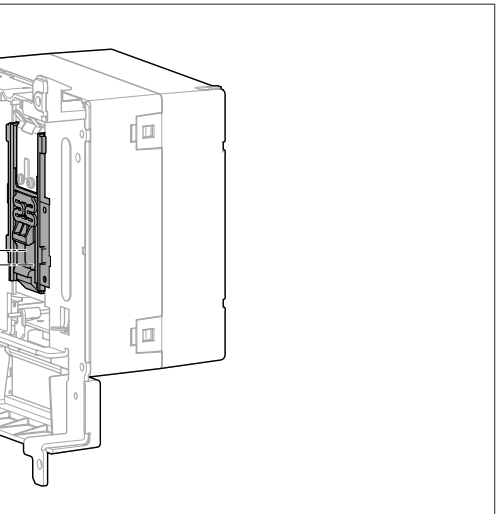
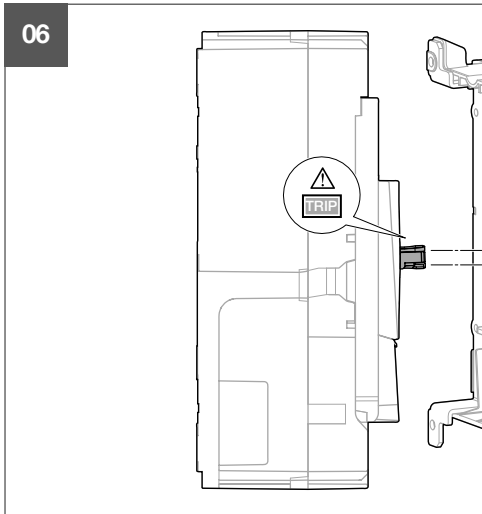
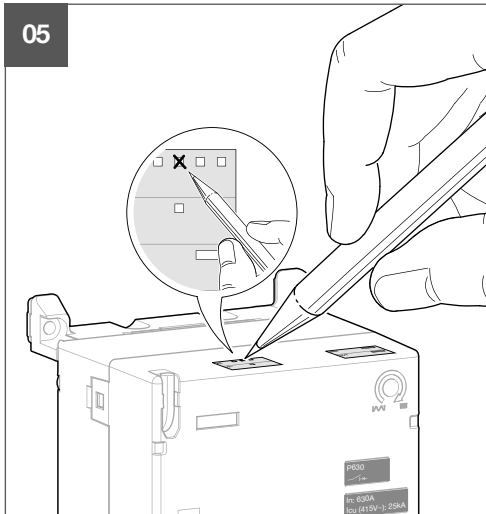
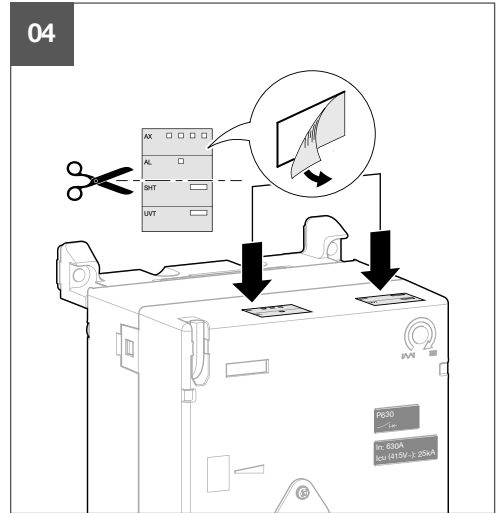
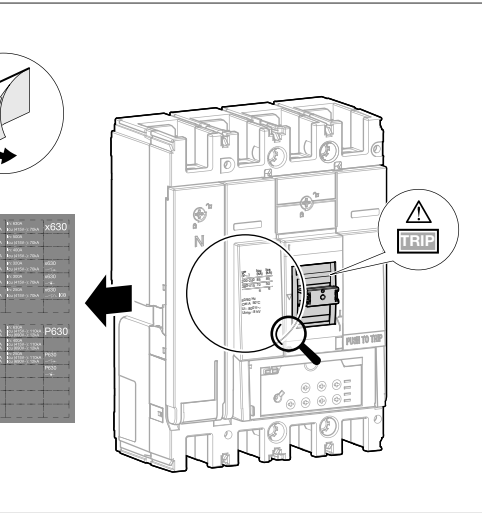
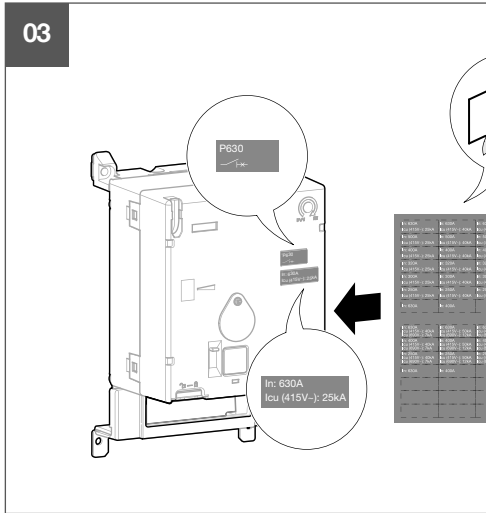
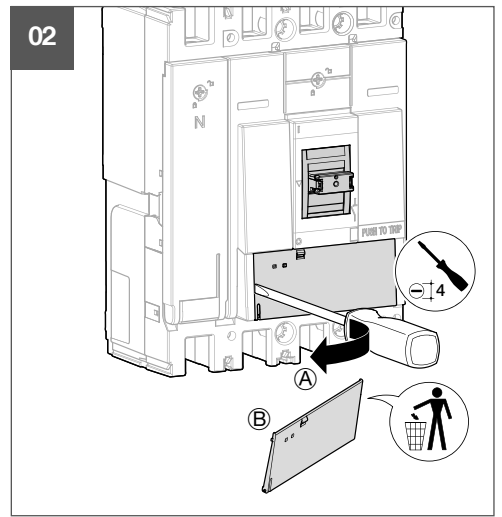
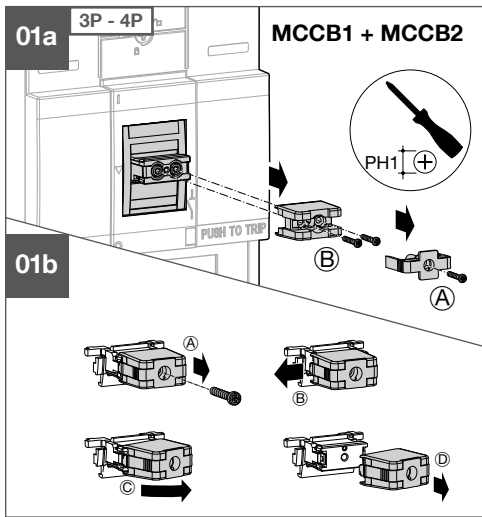
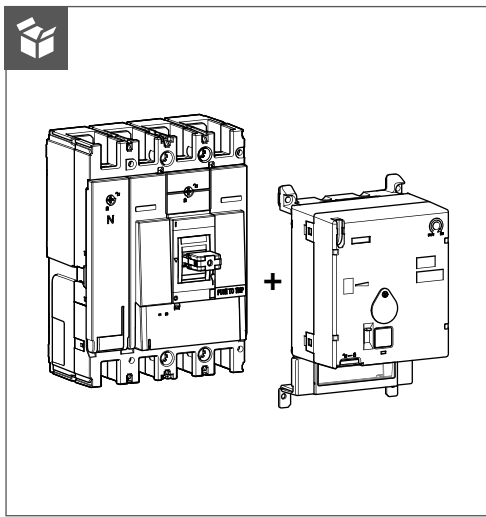
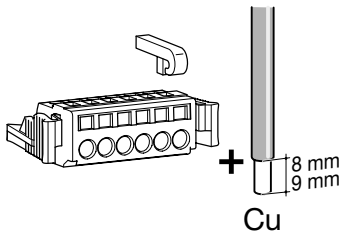


P630 - x630



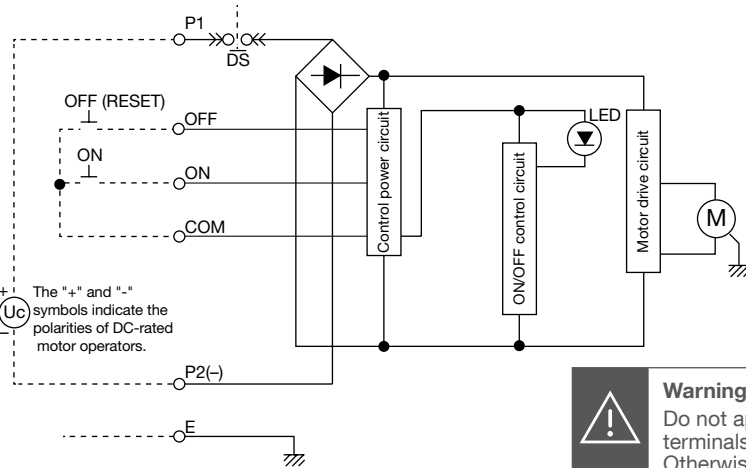
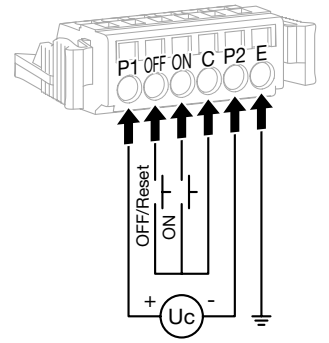
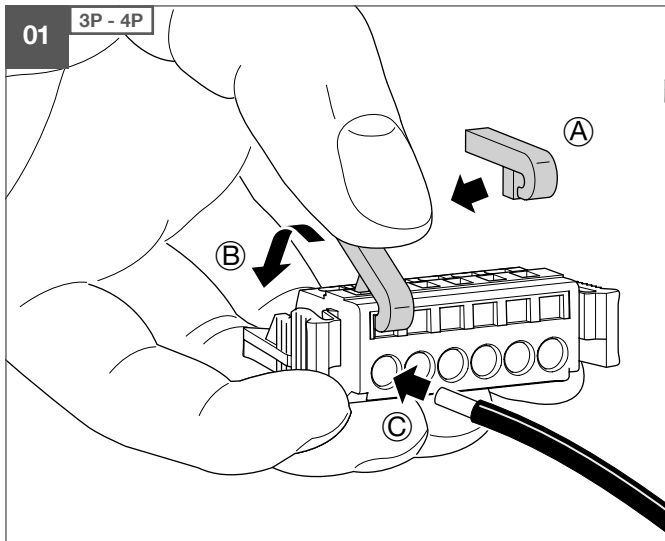


01



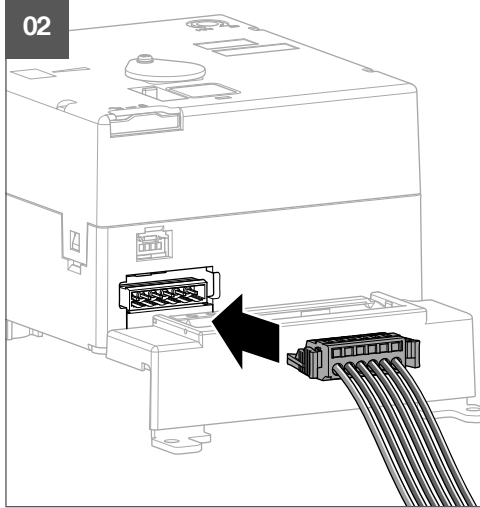
	min.	max.
	(mm <sup>2</sup> )	
	0,8	2
	0,8	2

01 3P - 4P

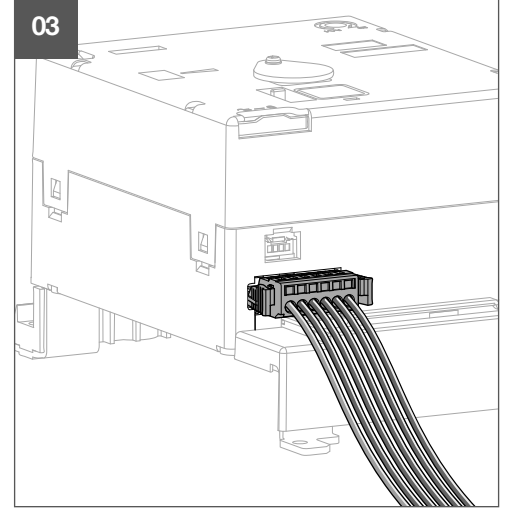


**Warning !**  
Do not apply any voltage to terminals "ON", "OFF" and "C". Otherwise, burn could result.

02

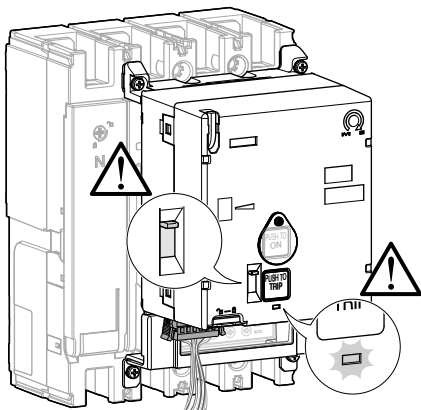


03

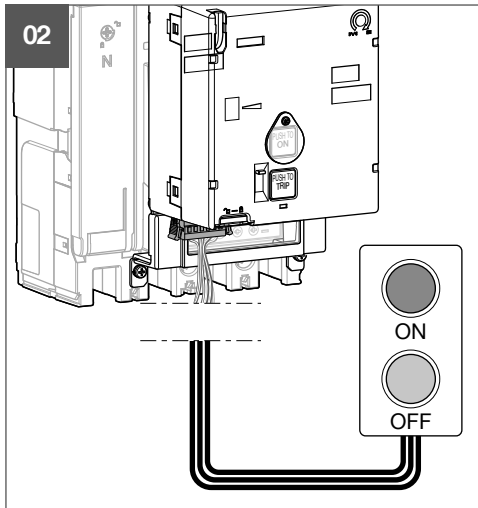


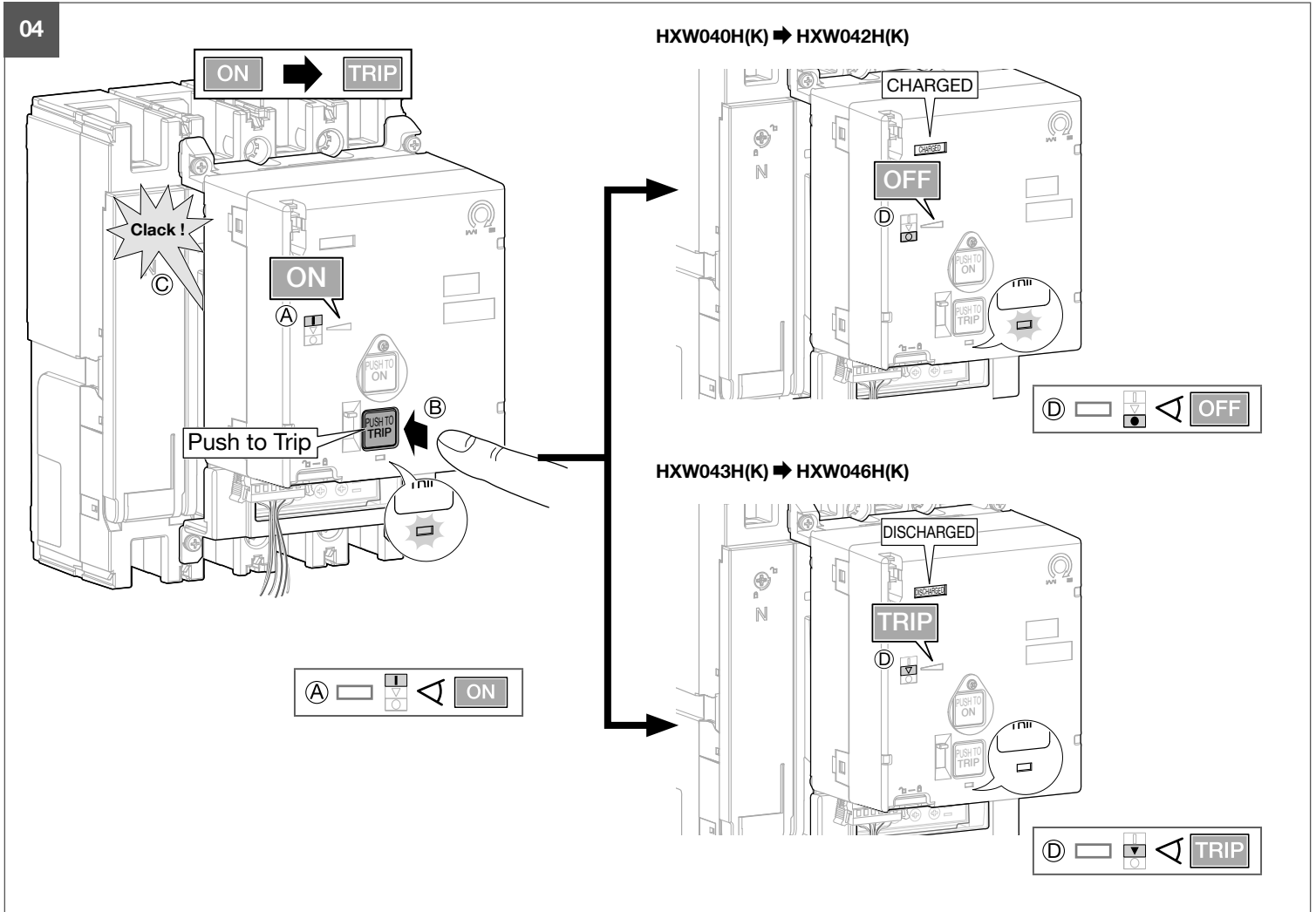
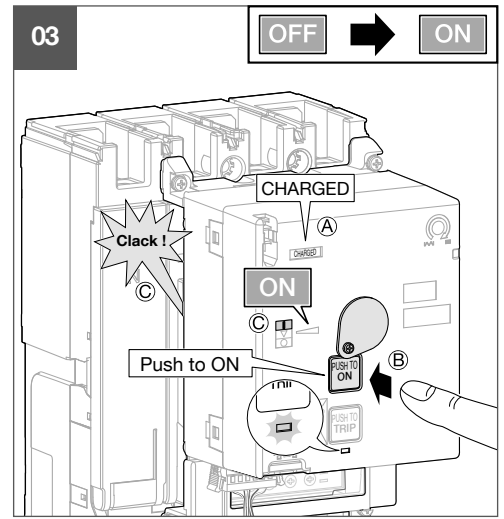
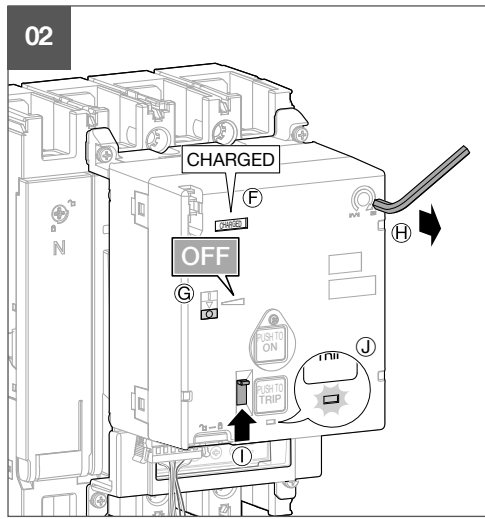
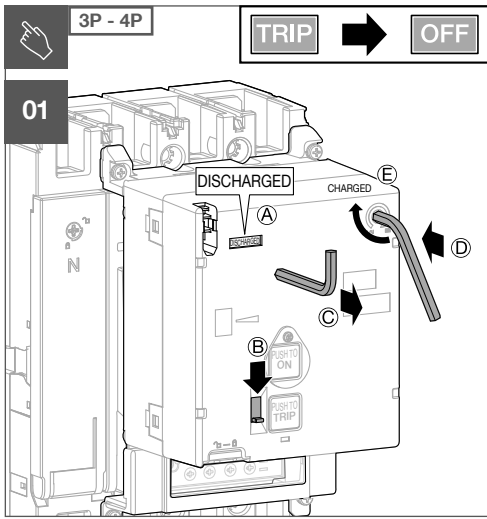
3P - 4P

01

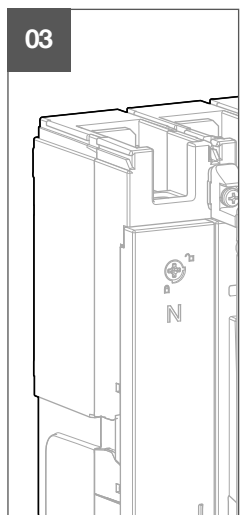
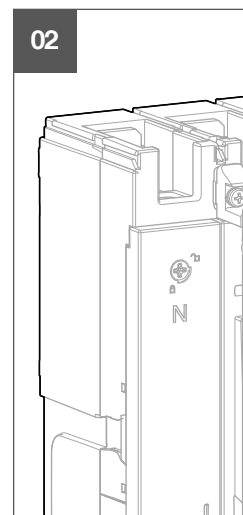
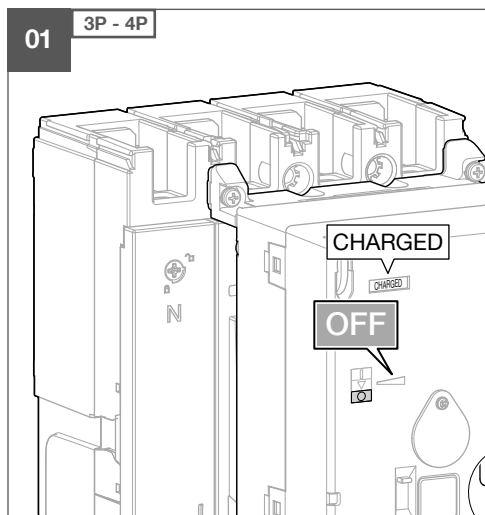


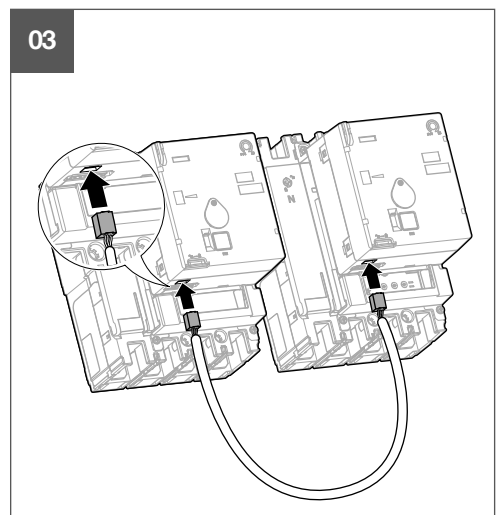
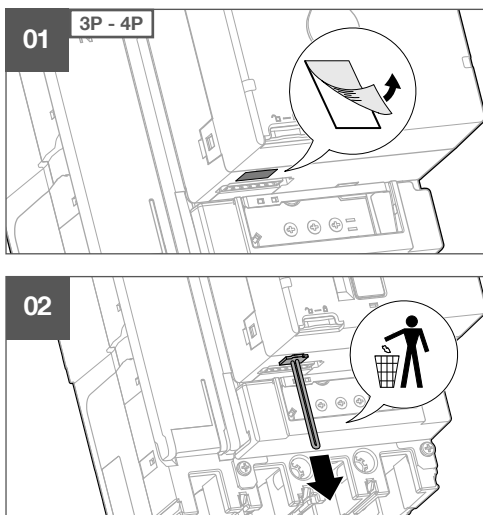
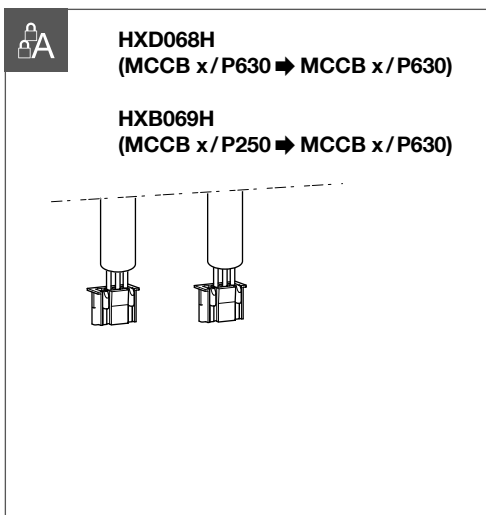
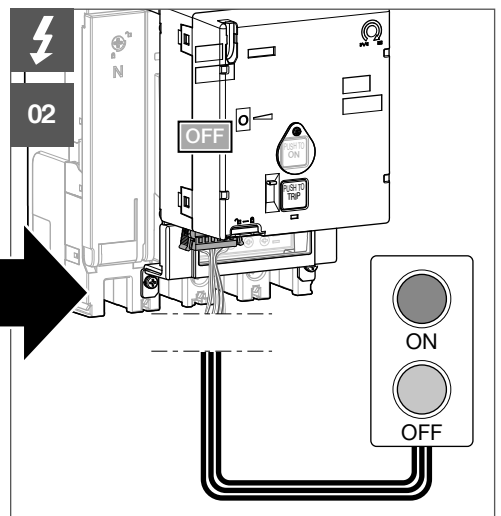
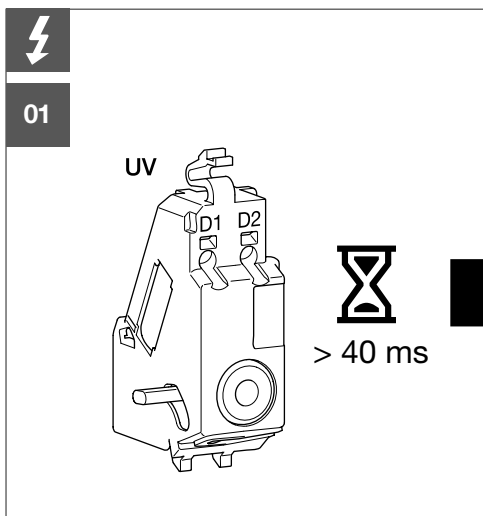
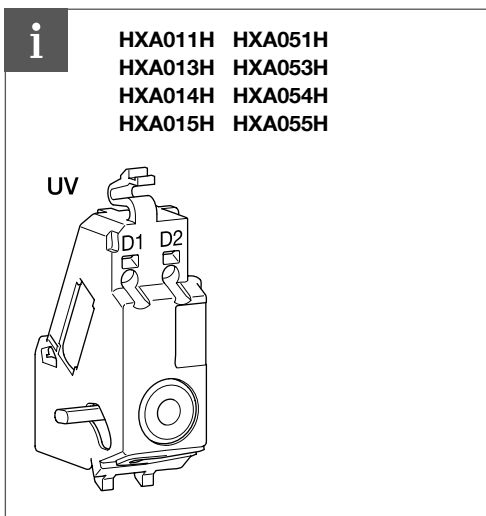
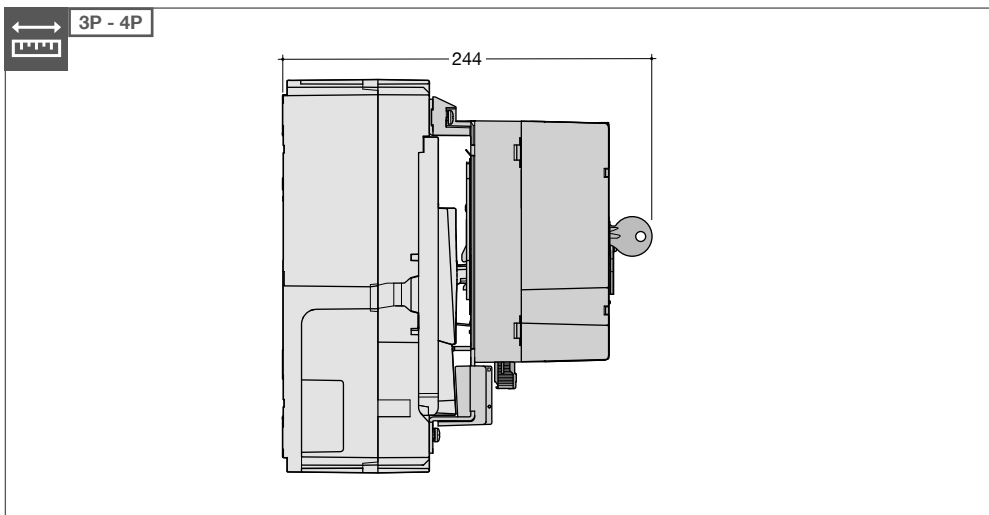
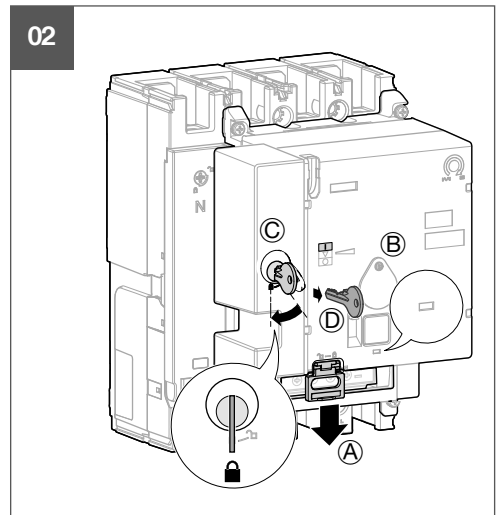
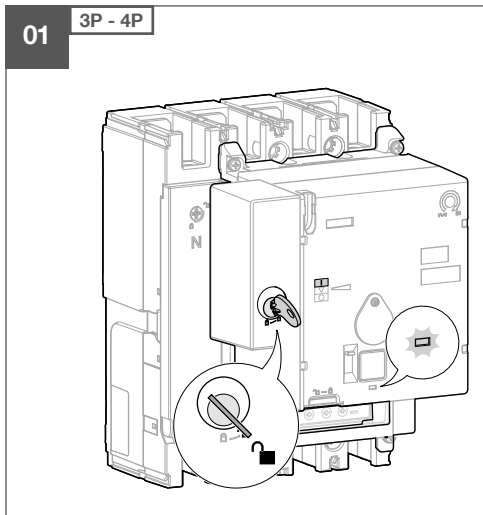
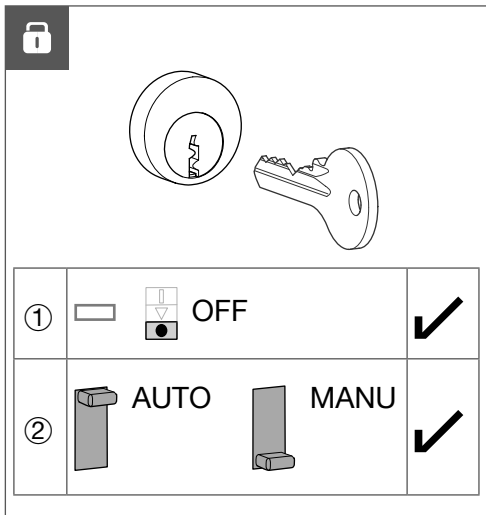
02





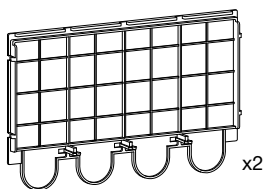
		ON	-
		TRIP	-
		OFF	✓



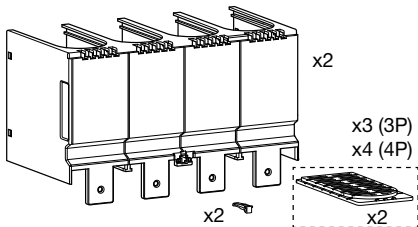




HYW050H 3P  
HYW051H 4P

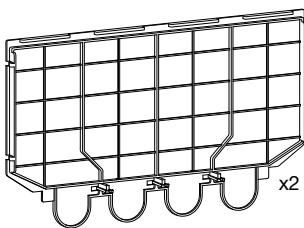


HYW021H 3P  
HYW022H 4P

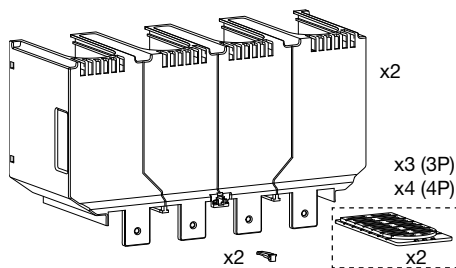


x3 (3P)  
x4 (4P)

HYW052H 3P  
HYW053H 4P

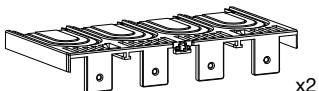


HYW023H 3P  
HYW024H 4P

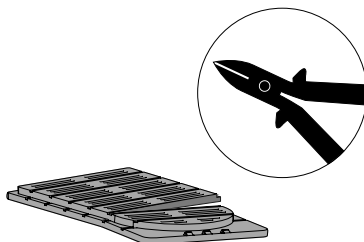


x3 (3P)  
x4 (4P)

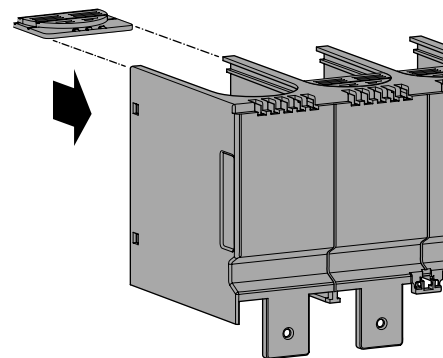
HYW025H 3P  
HYW026H 4P



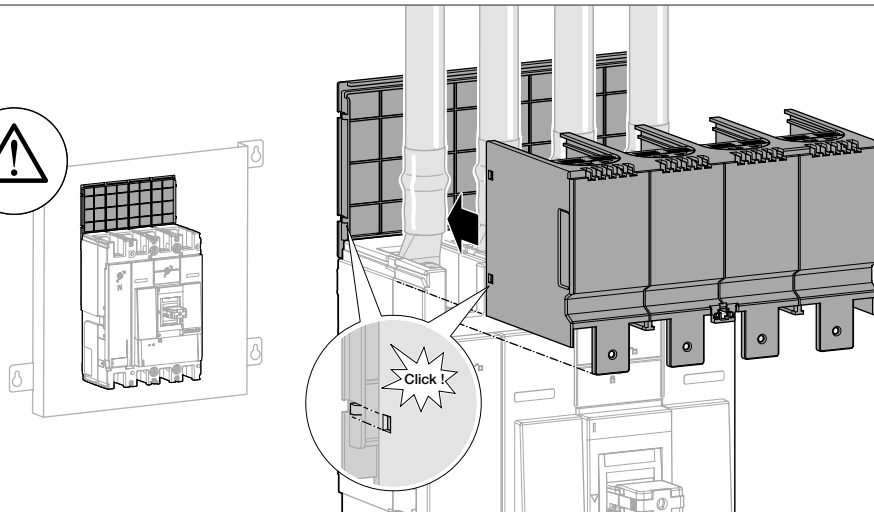
01 3P - 4P



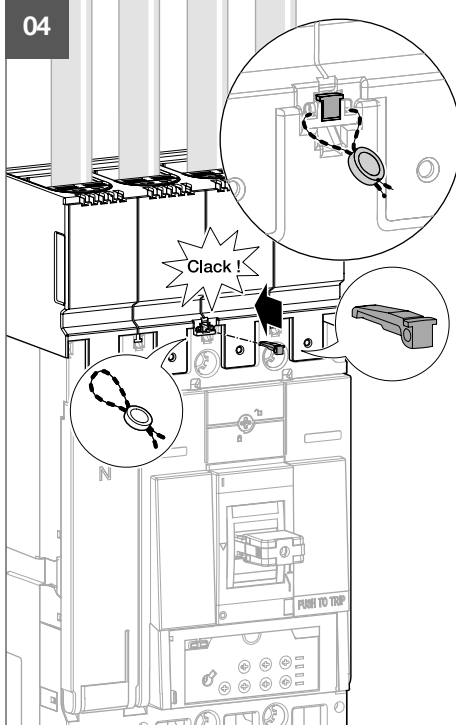
02



03



04



05

